

The Marconi communication test set 2955 series has a common fault – the 10MHz oscillator is prone to failure. Shows as a breaking up of the display and general lockup. It is not a good idea to use your unit if it is showing this symptom as it can corrupt the eeprom, see below – here is one way to fix it.

Courtesy Bob Blumfelds VK6JBN

de Mark Webster VK2BAK

The fault you mention sounds like the 10mhz ref oscillator on the crt board is intermittent. This is an extremely common fault.

It's a small grey box located towards the rear of the long crt pcb. There is a blue multiturn pot directly above it. That sets the frequency. It will lock the unit up if it fails during warmup or operation. It supplies all the timing signals for the 2955 including the display. Best way to fix it is remove and install a new 10mhz reference oscillator. The original oscillator is not easily sourced and they are getting too old. I fitted a 10mhz Vectron oven which fits nicely onto the side of the case directly behind the crt pcb. There is 12v on the crt board as the original oven uses 5v. You will require a transistor, a couple of resistors and a cap to "pullup" the level of the oscillator signal to 2v p-p which the Marconi needs to work. If the level is low then the unit won't start on power up. You won't obviously need to do that if you source an oven with a high level output. I suppose another way is to find a good hp oscillator on ebay.

Also don't use the unit too often as the intermittent timing signals will screw the cal data in the eeprom and you will need a new board. Symptoms of that is unusual readings in the sinad, frequency etc when no signals are applied. Also levels out will be unusual too! This happened to another set I fixed up and I ended up buying a second hand controller board to fix it. *[email to VK2BAK]*

PHASE LOCKED LOOP

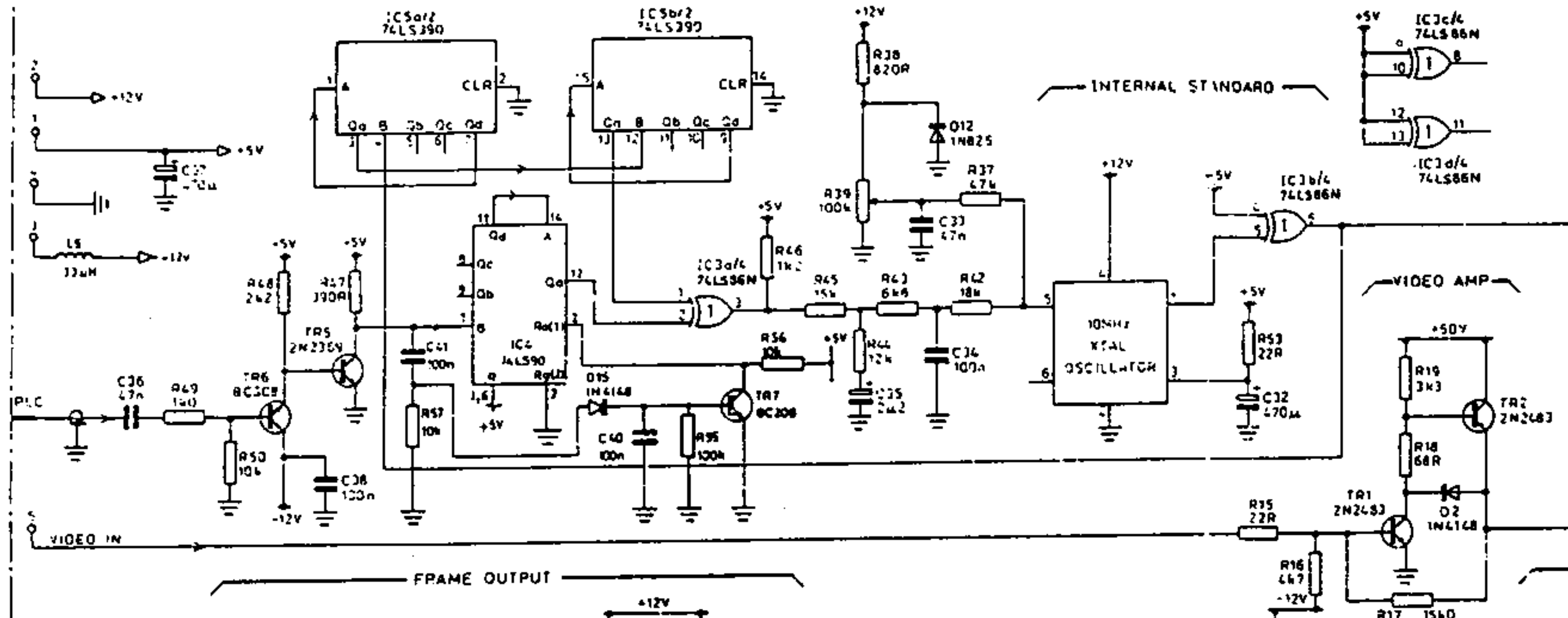
INTERNAL STANDARD

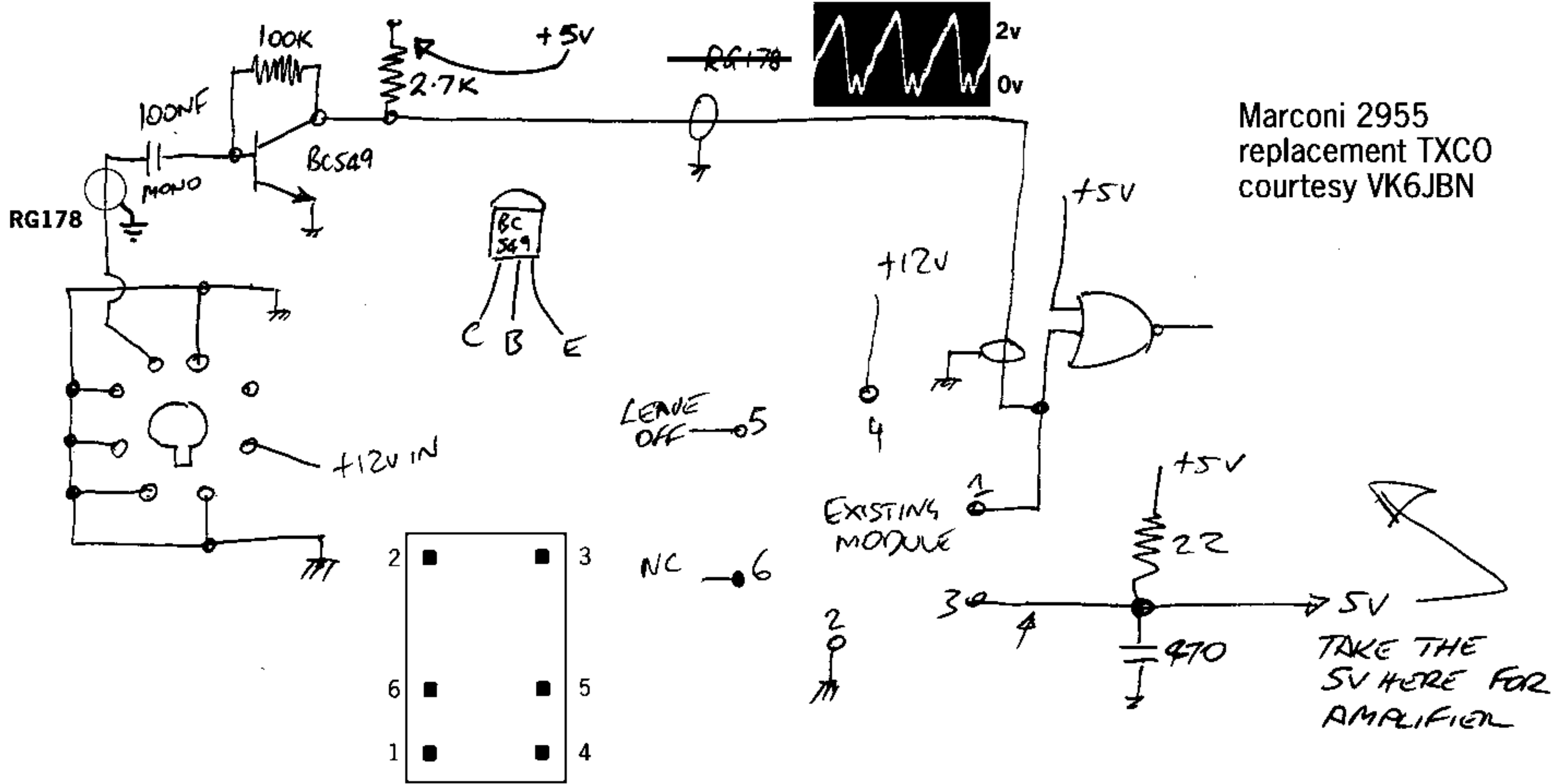
VIDEO AMP

FROM
AB1
PLO

EXT 1MHz
RFAN
PULSE

FROM
AB1
PLOG





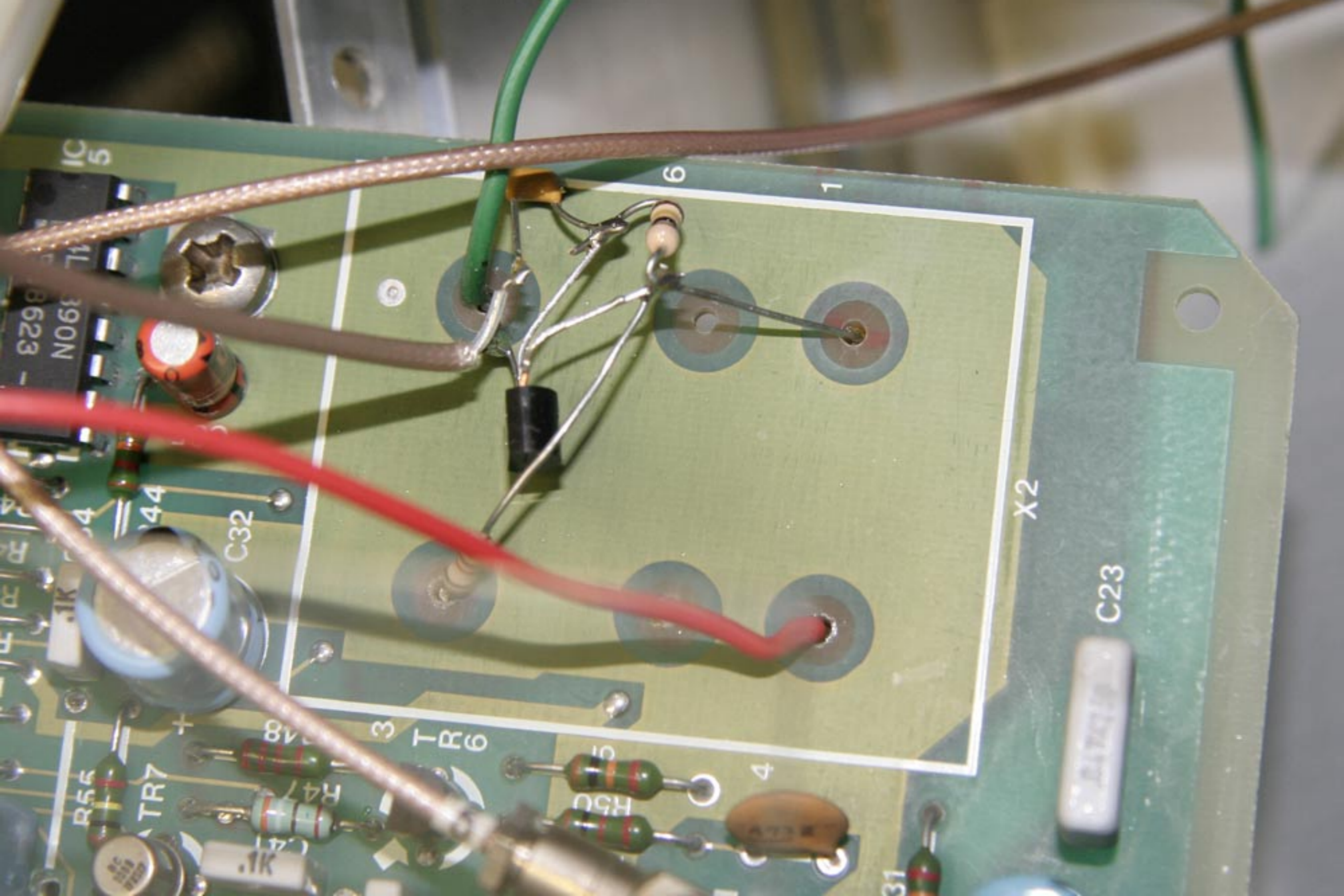
Marconi 2955 replacement TXCO courtesy VK6JBN

+5V₃

OUT₁

PM14

+12V₄



IC 5

8623 -
N068 T11

6

1

C32

X2

C23

TR7

R50

4

TR7

R47

31

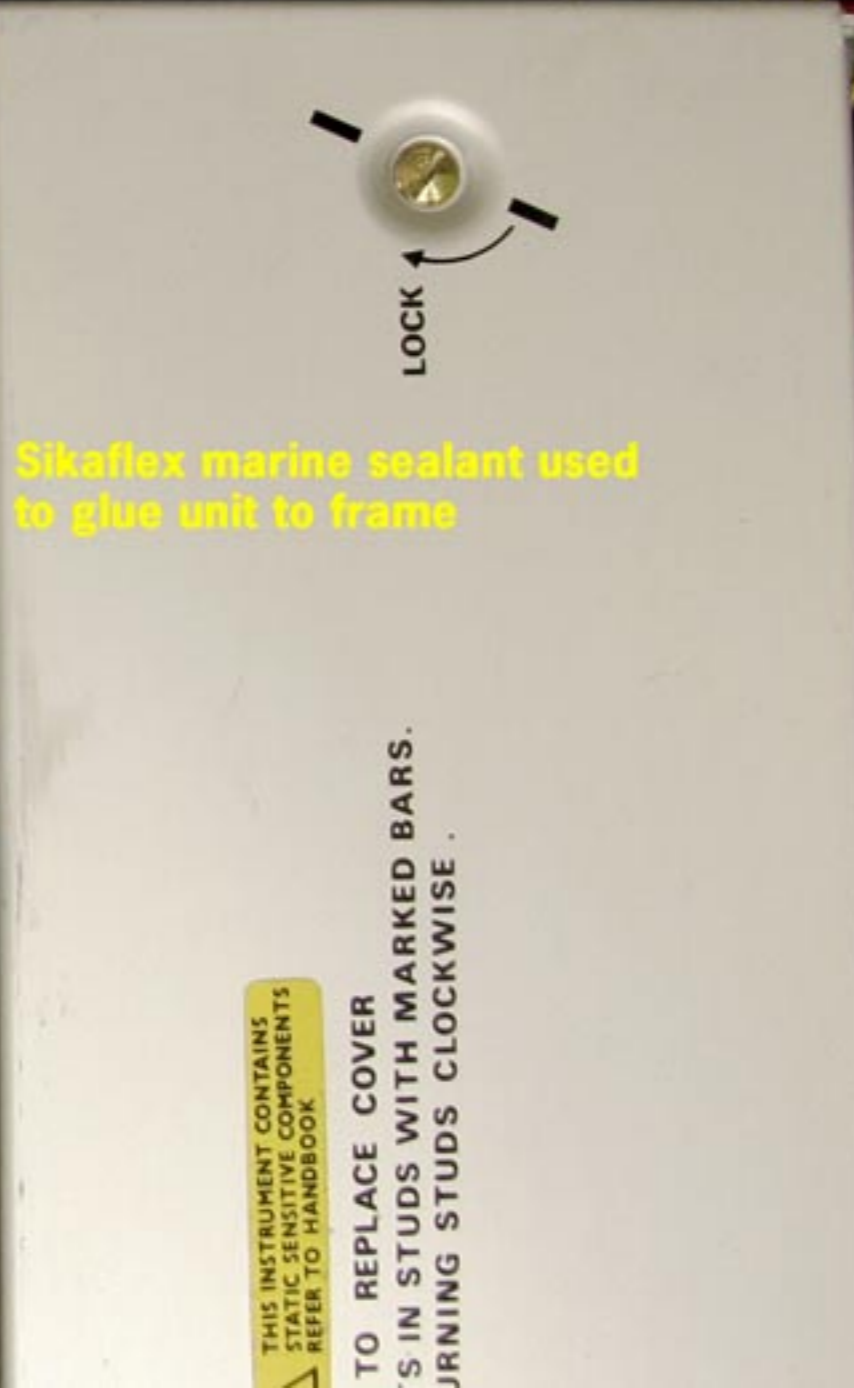
R55

.1K

AC
500V
WETTER

DANGER
HIGH VOLTAGES EXPOSED BE

USE SCREW ON XTRAL OVERVIEW



Sikaflex marine sealant used to glue unit to frame

THIS INSTRUMENT CONTAINS
STATIC SENSITIVE COMPONENTS
REFER TO HANDBOOK

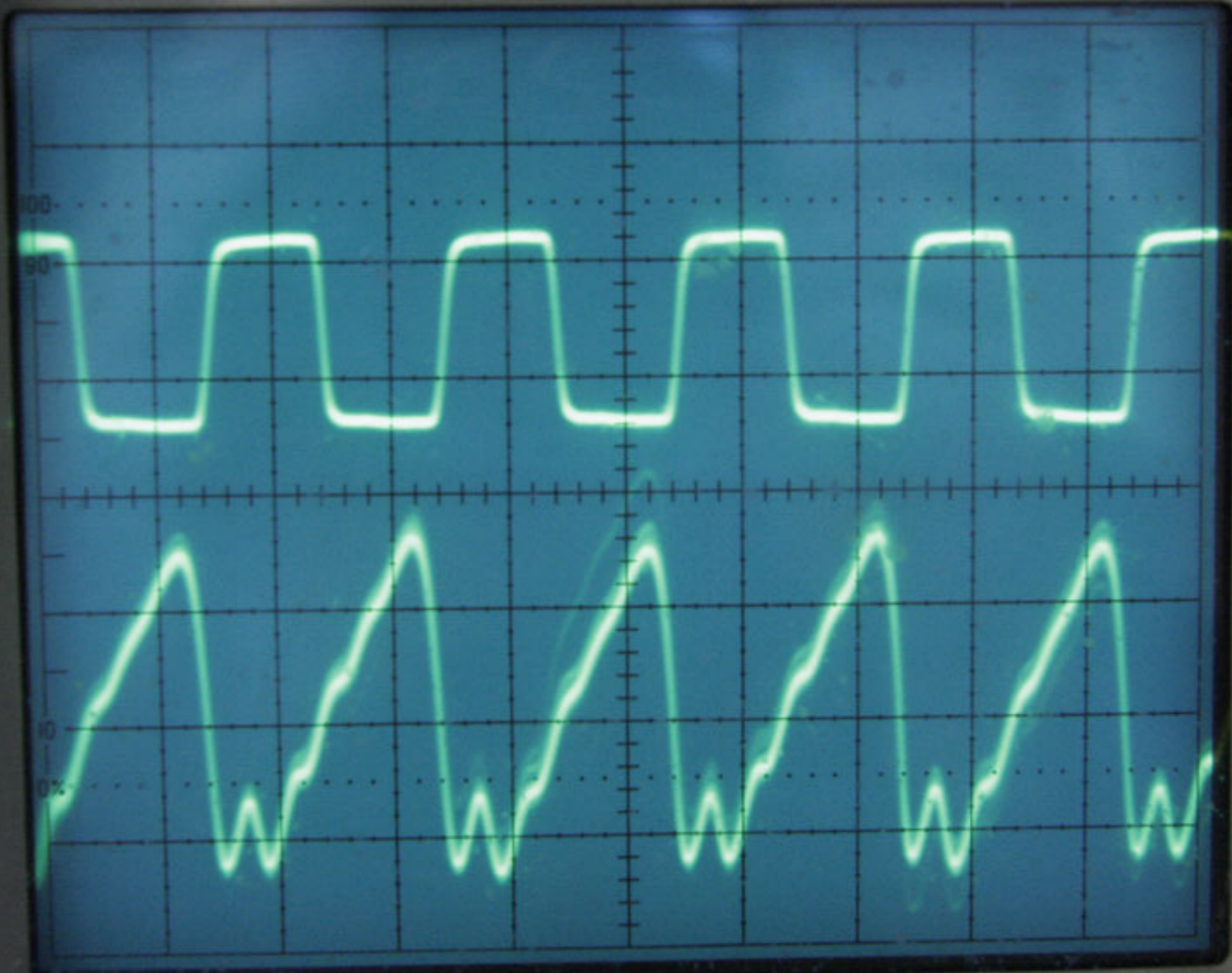
TO REPLACE COVER
S IN STUDS WITH MARKED BARS.
TURNING STUDS CLOCKWISE .

820-41721

SPEC 488:1978
ADDRESS
SHT AMI TS L4 SRI

teklonix

in sync with GPS fx standard



2

IN

TRACE

BEA

PROBE

50

10

PD